



Sewatek Multi Penetration D80, D105 and D140

**For concrete and solid wood walls
and intermediate floors**

For plastic sewage pipes and cable bundles



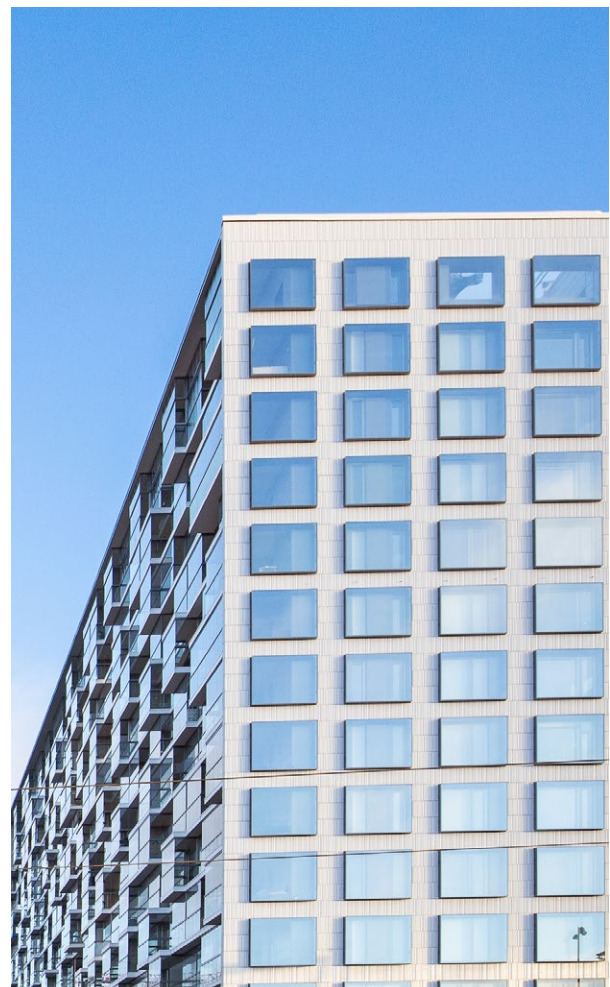
Description

The Multi penetration is an ETA-assessed and CE-marked fire stop product for installation into a hole or casting in place. The product consists of a fire strip, its protective plastic shell and rubber sealings. Fire classification of EI 60 – EI 120 is attained depending on the structure and the HPAC requiring a passthrough.

Purpose of use

The product is used as a fire stop for flammable sewage pipes and cable bundles. It has also been extensively tested with decibel pipes. The most common applications for Multi penetrations include pipe renovation projects and the wooden element industry.

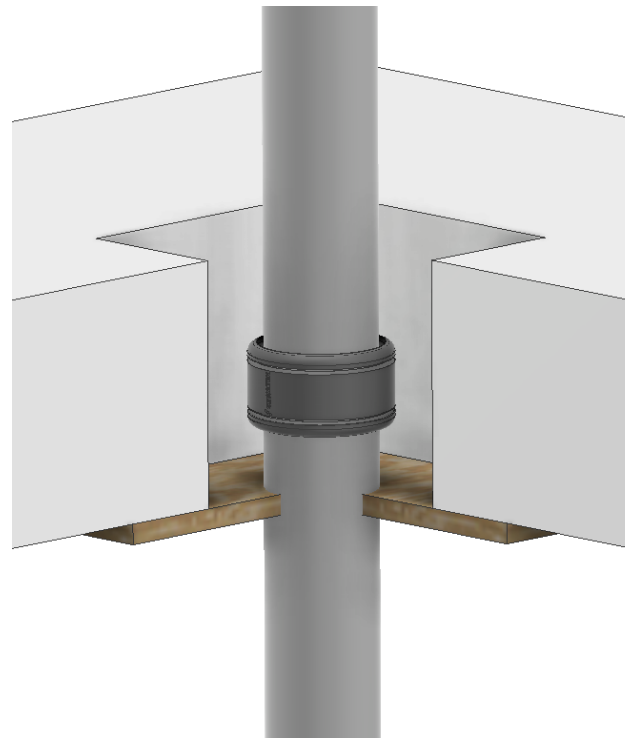
A penetration unit with a solid shell is installed before or simultaneously with a sewage pipe, resulting in a highly space-efficient fire stop with minimal effort. With cable bundles, a plastic pipe with an outer diameter that fits the product is used as an installation pipe.



Installation

You can install the product into an appropriately dimensioned drilled opening or a larger aperture which is then cast shut. One penetration is sufficient in intermediate floors, while a twin model or two penetrations may be required in walls depending on the thickness of the structure.

When installed into a drilled opening, the gap between the structure and the fire stopping product is sealed air-tight with acrylic sealant. Sewatek mounting flanges can be used to ensure that the fire stop is tightly secured. When installed into casting, the fire stop is installed together with the sewage or installation pipe before casting around it. If the sewage pipe has already been installed, a cut model can be used by installing it around the existing pipe and feeding it inside the structure.



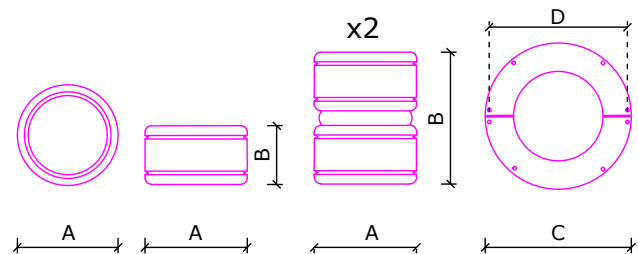
Installation at max 160 mm from the lower edge of the structure.

Special installation cases

The product be modified for following installations:

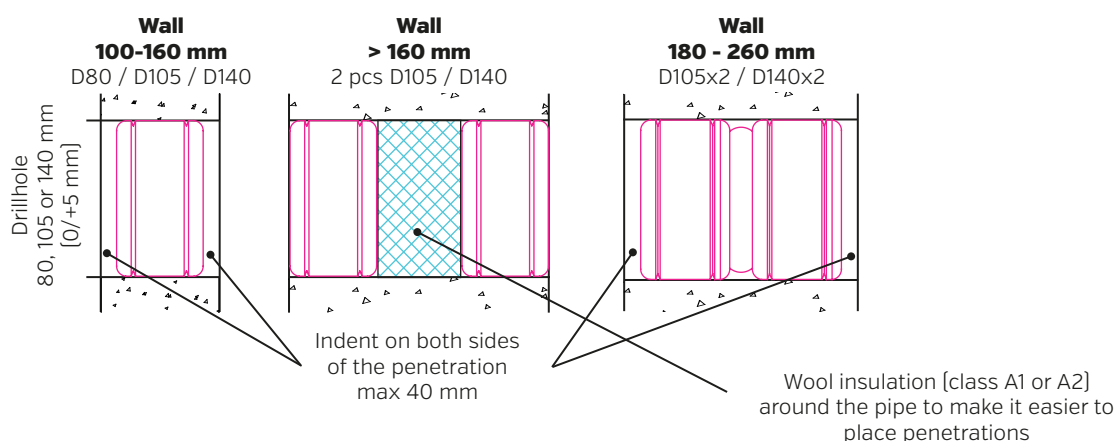
- on a pipe fitting
- in intermediate floor slab, max 160 mm from lower edge
- lowered, down to 40 or 60 mm height
- cut, on existing HPAC

Dimensions



Product	Option	Pipe exterior diam. Ø mm	Cable bundle max size Ø mm	Largest single cable Ø mm	Drilled opening Ø mm	A Ø mm	B Height mm	C Flange Ø mm	D Mounting opening every mm
D80	/K	50	45	22 / 25	80	78	80	130	116
D105	/K	75	66	22 / 25	105	103	80	160	149
D140	/K	110	100	22 / 25	140	138	80	200	189
D105x2		75	70	22 / 25	105	103	180	160	149
D140x2		110	100	22 / 25	140	138	180	200	189

Product selection in a wall structure



Decibel pipes tested

Geberit	Silent dB20, Silent PP, Silent Pro
Poloplast	Polo-Kal NG and XS
Rehau	RAUPIANO PLUS
Uponor	HTP, Decibel
Wavin	AS+, SiTech+, Asto

Materials

Shell	Polyethylene
Sealing	Thermoplastic Vulcanizate (TPV)
Fire strip	Graphite intumescent fire strip

Additional information

ETA	ETA-12/0045
Fire classification	EI 60 - EI 120
Structure types	Concrete wall, min density 450 kg/m ³ and min structural strength 100 mm Concrete intermediate floor, min density 850 kg/m ³ and min structural strength 150 mm Solid wood wall or intermediate floor (CLT, LVL), min structural strength 100 mm
Ecolabels	Nordic Swan compatible Byggarubedömning SundaHus
Other technical properties	Use category: Y2, also Z1 and Z2 Impact on airborne sound insulation < 2 dB