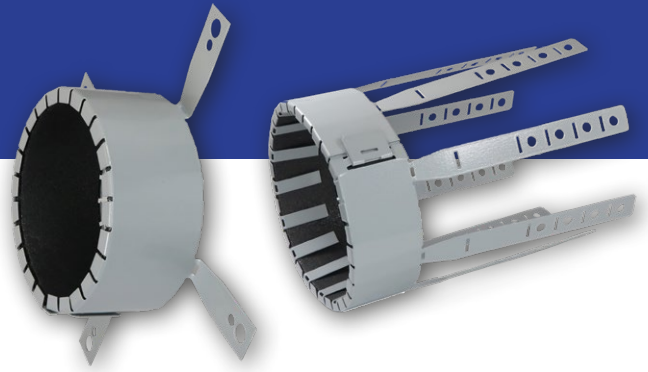




Sewatek C Series Fire Collars

For concrete structures and drywalls

For plastic pipes and cables



Description

The Sewatek C series fire collar is an ETA-assessed and CE-marked fire stopping product complete with a metal shell and an intumescent fire strip. The product can be installed around existing HPAC, either on the surface or inside the structure, depending on the structure. Resistance to fire EI 60 – EI 120.

Purpose of use

The retrofit fire collar is designed to serve as a fire stop for flammable or meltable HPAC. In addition to standard plastic pipes, it has been tested extensively for dB sewage pipes, composite and PEX pipes and cables.

The product can also be installed on a sewage pipe fitting. **Conversion fire collar** can be installed in the joint of a plastic pipe and a cast iron pipe.

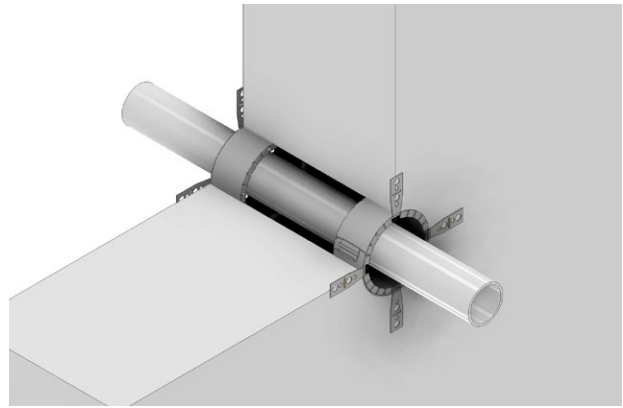


Installation

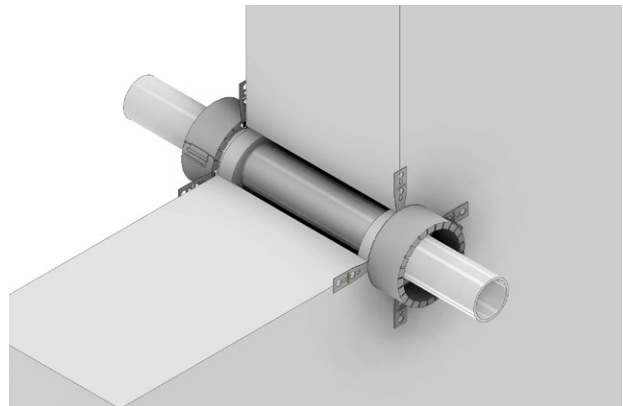
Feed the fire collar around the HPAC and lock it in place by bending the locking tab. In intermediate floors, the fire collar is installed on the bottom part of the structure while in the walls it is installed on both sides. Air impermeability is ensured with wool backing and acrylic sealant. While the fire collar must be installed inside the structure in gypsum board walls, flush mounting is allowed in other structures too.

The fire collar is secured to the structure with non-flammable fasteners with at least three of the fixing lugs. The fire collar fixing lug features 5- and 8-mm holes for screws. The minimum screw length in concrete structures is 40 mm. Secured to drywalls with coarse-thread gypsum board screws with minimum size of 3.7 x 32 mm.

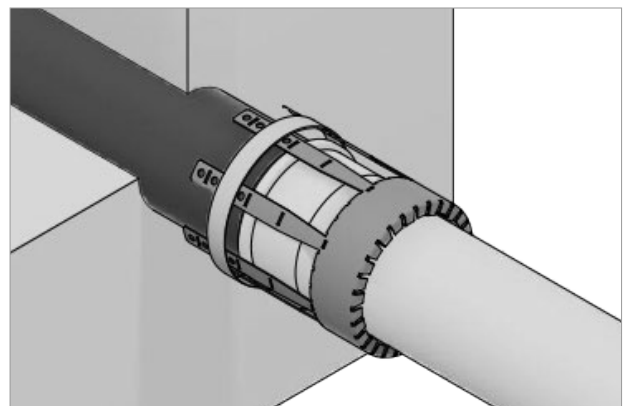
Conversion fire collar is installed either to the structure with fasteners or to a cast iron pipe with a tensioning clamp.



Installation inside the structure



Installation on structure surface



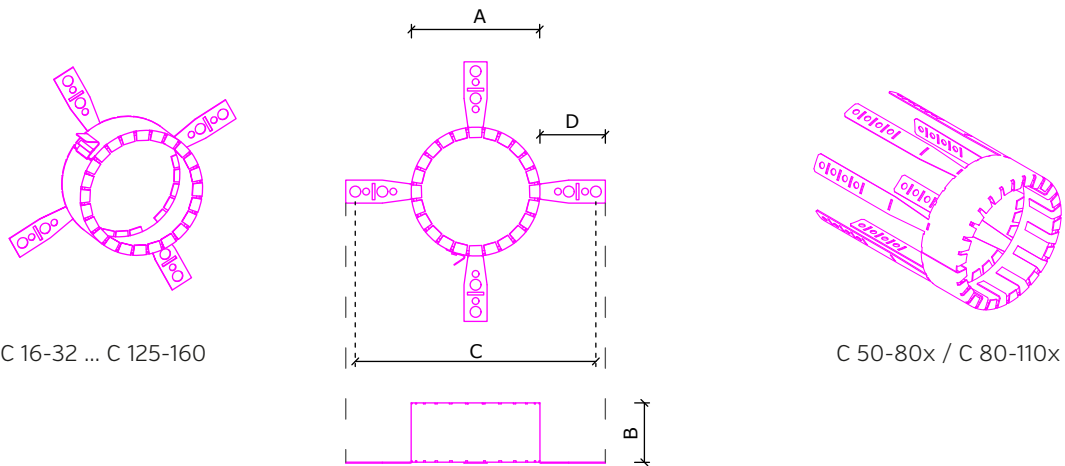
Conversion fire collar installation at the joint of a metal and plastic pipe – not on the fitting, however.

Product sizes and models

Product sizes C 16-32, C 25-50, C 50-80, C 80-110, C 110-125, C 125-160

Special models C 50-80x and C 80-110x Conversion fire collar for the joint between cast iron and plastic pipe

Dimensions



C 16-32 ... C 125-160

C 50-80x / C 80-110x

Product	A Fire collar diameter mm	B Fire collar height mm	C Exterior mounting holes mm	D Fastener length mm
C 16-32	43	23	95	32
C 25-50	63	23	120	38
C 50-80	95	45	180	48
C 80-110	132	45	213	48
C 110-125	152	45	233	48
C 125-160	192	45	275	50
C 50-80x	95	45	378	148
C 80-110x	132	45	410	148

x = Conversion fire collar for when a cast iron pipe converts to a plastic pipe

Product	Penetrating pipe Ø mm	Hole max Ø surface installation mm	Hole Ø, flush mounting mm
C 16-32	16-32	40	42 - 45
C 25-50	25 - 50 [32*]	60	63 - 66
C 50-80	50 - 80 [50*]	90	96 - 99
C 80-110	80 - 110 [75*]	130	132 - 135
C 110-125	110 - 125 [110*]	145	150 - 153
C 125-160	125 - 160	190	195 - 198
C 50-80x	75	-	-
C 80-110x	110	-	-

*installation on plastic sewage pipe fitting

Materials

Shell	Hot-dip galvanized sheet, powder-coated
Fire strip	Graphite intumescent fire strip

Additional information

ETA	ETA-20/0260
Fire classification	EI 60 – EI 120
Structure types	Concrete wall, min density 450 kg/m ³ and min thickness 100 mm Gypsum board wall, min thickness 94 mm Concrete intermediate floor, min density 850 kg/m ³ and min thickness 150 mm
Ecolabels	Nordic Swan compatible Byggarubedömning SundaHus
Other technical properties	Use category: Y2, also Z1 and Z2 Impact on airborne sound insulation < 2 dB